



LI-TIAN LIGHTING



IP 67 LED Marine Light



Product Details



Impact-resistant Round LED Washdown

Two Power , IP67 Rated, certified for ETL

DLC certification

Features

- Waterproof, Dust proof
- plastic housing Aluminum radiator Ip67
- IK10 Philips LED source SMD2835
- 5 years warranty
- 150LM/W
- Energy saving up to 80%
- quick installation bracket with hinged housing for easy installation

Temperature

Operating: -25 ~ + 40°C

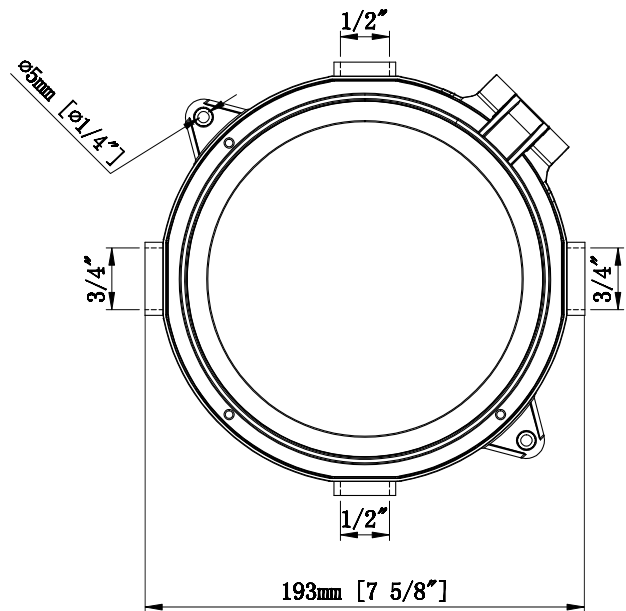
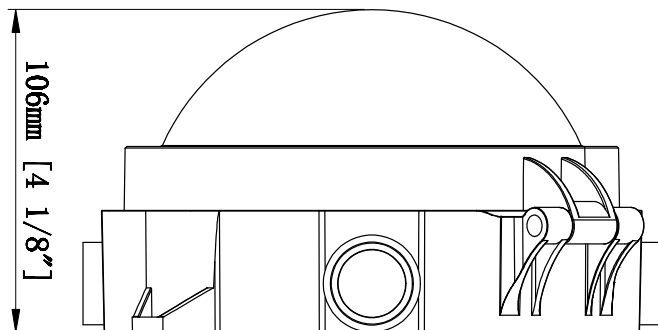
Storage: -40 ~ + 85°C

Application

- Livestock farms
- Industrial facilities
- Food processing facilities
- Government facilities
- Public area
- Kitchens
- Parking garages
- Car washes
- Schools



Dimension



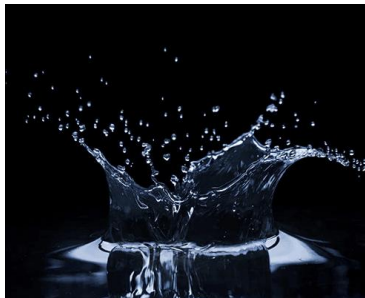
Items	Diameters	Heights
LT-YC-30W-50K-D	193(mm)	106(mm)

Technical Data sheet

Item	Input	Power	LED Qty (Philips)	PF	CCT	LM/W	CRI	THD	Efficiency	N/W	Options
LT-YC-30W-50K-D	AC120-277V	30W	120pcs SMD2835	>0.9	5000K	140LM/W	≥ 80	>20%	>0.9	0.65KG	0-10V Dimming


IK 10

Impact resistance


IP 67

Fully gasketed lens seal out moisture and dust. Covered ceiling not required to maintain wet location listing or IP rating.

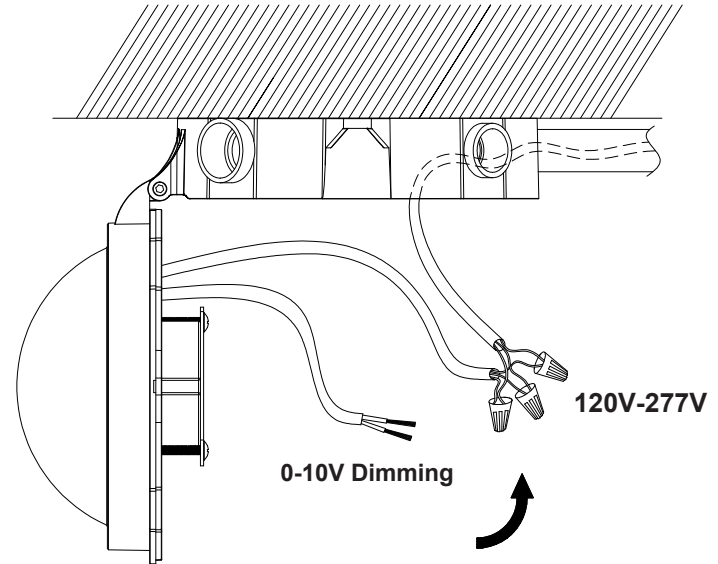
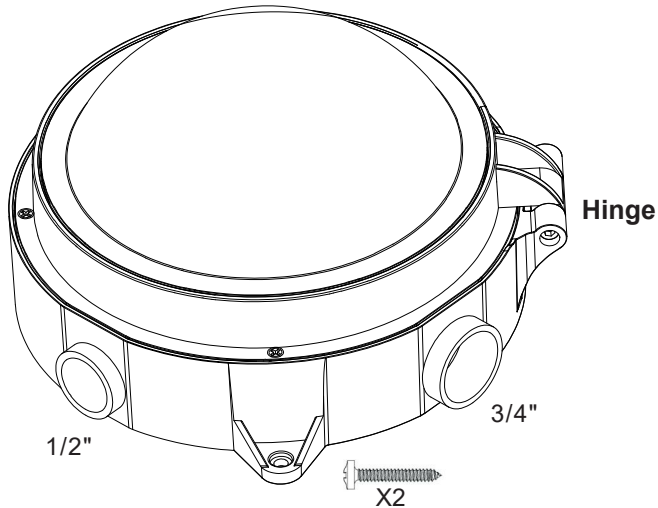

V-0

Flammability rating


Easy installation

Hinged wiring access, conduit entry from sides and top make installation a snap.

Connection



Caution:

Please read the use manual before the installation
 Please do not stare directly at the lamp surface
 Please do not cover anything on the lamp and keep it away from the high temperature area.

Please do not use the lamp in the following area:

With large quantity of lamp back and smoke
 With large amount of chemical corrosive substance
 With large scale temperature variations or under a environment with a temperature beyond -25-+50℃